

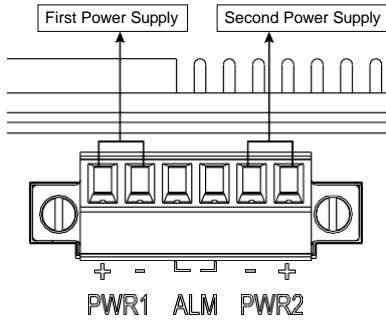
## 850G-12PI, 850G-14I, 850G-12I Industrial Ethernet Switches Quick Installation Guide

Version: 1.10

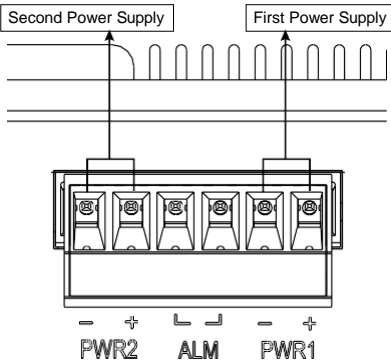
### Connecting Power

The 850G Series Industrial Ethernet Switch can be powered from two power supplies (input range 12 ~ 58 VDC for non-PoE Series, 54 ~ 58 VDC for PoE Series). Two power supplies are on the top panel of the switch. Insert the positive and negative wires (AWG 14-26) into V+ and V- contacts on the terminal block respectively and tighten the wire-clamp screws to prevent the wires from being loosened.

#### Non-PoE Series



#### PoE Series

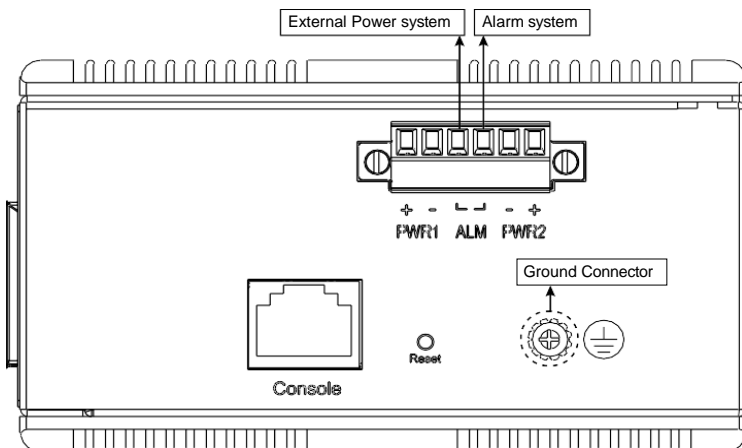


#### WARNING

The DC power should be connected to a well-fused power supply.

### Alarm Relay and Ground

- The alarm relay output contacts are in the middle of the DC terminal block connector as shown in the figure below.
- The alarm relay out is "Normal Open", and it will be closed when it is detecting any predefined failure such as power failures or Ethernet link failures.
- The relay output with current carrying capacity of 0.5A @ 24 VDC.
- The switch must be properly grounded for optimum system performance.



### LED Indicators

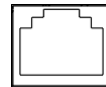
LED	Color	Description
P1/P2	On: Green	P1/P2 power line connected or power supplied
	Off	P1/P2 power line disconnected or no power supplied
ALM (Alarm)	On: Red	Ethernet link failure or power failure
	Off	No Ethernet link failure and no power failure
RJ45 LAN port Link/Act	On: Green	Ethernet LINK UP
	Blinking: Green	Ethernet traffic detected
	Off	Ethernet LINK DOWN
RJ45 LAN port Speed	On: Yellow	Ethernet LINK UP at 1000Mbps
	Off	Ethernet LINK DOWN or LINK UP at 10Mbps/100Mbps
SFP Uplink port Link/Act	On: Green	Ethernet LINK UP
	Off	Ethernet LINK DOWN
SFP Uplink port Speed	On: Yellow	Ethernet LINK UP at 1000Mbps
	Off	Ethernet LINK DOWN or LINK UP at 100Mbps
<b>PoE Series only</b>		
Ring Master	On: Green	Ring Master enabled
	Off	Ring Slave enabled
Ring Fail	On: Green	Ring failure detected
	Off	No Ring failure detected
PoE	On: Yellow	PoE PD (Powered Device) connected
	Off	PoE PD (Powered Device) disconnected

### RJ45 Connector Pinouts

The pin assignment of RJ45 connector is shown in the following table.

8-pin RJ45	Pin	Description	PoE Pinouts (PoE models only)
	1,2	T/Rx+,T/Rx-	V+
	3,6	T/Rx+,T/Rx-	V-
	4,5	T/Rx+,T/Rx-	X
	7,8	T/Rx+,T/Rx-	X

### Console Connection

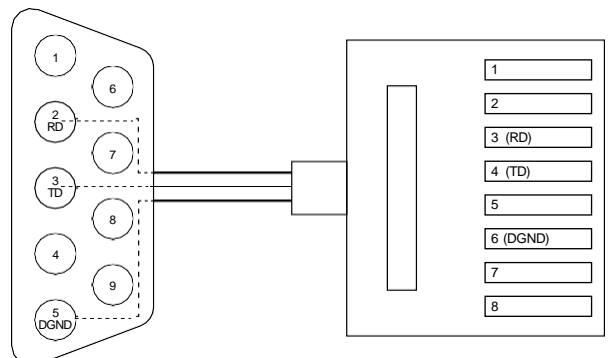


Console

The console port on the top panel is for local management by using a terminal emulator or a computer with terminal emulation software.

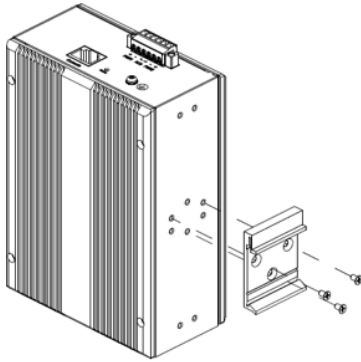
- DB9 connector connect to computer COM port
- Baud rate: 115200bps
- 8 data bits, 1 stop bit
- None Priority
- None flow control

To connect the host PC to the console port, a RJ45 (male) connector-to-RS232 DB9 (female) connector cable is used (not included in package). The RJ45 connector of the cable is connected to the console port of the switch; the DB9 connector of the cable is connected to the PC COM port. The pin assignment of the console cable is shown below:



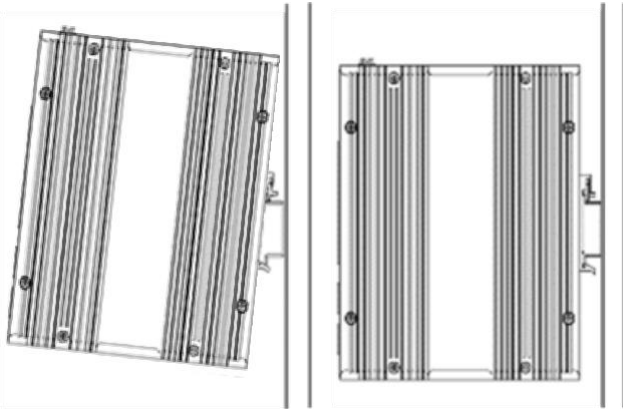
## DIN-rail Mounting

STEP 1: Use the screws to install the DIN-rail kit to attach at the rear side of the switch.



STEP 2: Hook the unit onto the DIN-rail.

STEP 3: Push the bottom of the unit towards the DIN-rail until it locks in place.

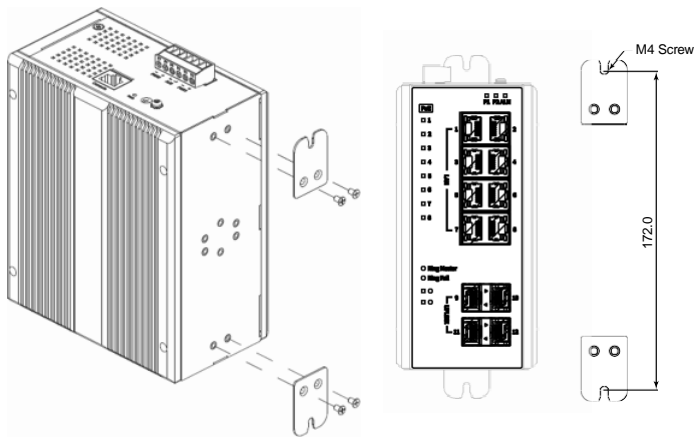


**NOTE:** For all switches (Non-PoE Series, PoE Series), the operation of DIN-rail mounting is the same.

## Wall Mounting

Use the screws to install the wall-mounting kit to attach at the rear side of the switch.

**NOTE:** For all switches (Non-PoE Series, PoE Series), the operation of wall mounting is the same.



## CLI Initialization and Configuration

1. Key-in the command under Telnet: telnet 192.0.2.1
2. Login with default account and password.  
**Username: admin**  
**Password: (none)**
3. Change the IP with commands listed below:

```
enable
configure terminal
interface vlan 1
ip address xxx.xxx.xxx.xxx xxx.xxx.xxx.xxx
exit
```

### NOTE

Please scan below QR Code to download online resources.

Download Link:

- <https://www.proscend.com/en/product/850G-12PI.html>
- <https://www.proscend.com/en/product/850G-14I.html>
- <https://www.proscend.com/en/product/850G-12I.html>



850G-12PI



850G-14I



850G-12I

## Web Interface: Connect & Login

1. Factory default IP: 192.0.2.1
2. Login with default account and password.  
**Username: admin**  
**Password: (none)**