

# 708EP-AC

## 8-Port PoE Long Reach Switch

### Quick Installation Guide

Version: 2.00

#### Overview

The 708EP-AC PoE Switch features 8 pairs of Long Reach Ethernet connections in cooperation with the 101EPI. Each pair carries Ethernet traffic and power over an Ethernet cable up to 800 meters. The 708EP-AC is designed to locate at network side where the 101EPI is located at the remote side.

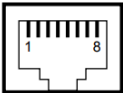
#### LED Indicators

Each LED indicator on the front panel is described in the following table.

LED	Color	LED	Description
PWR	Green	On	Device Power On.
		Off	Device Power Off.
SYS	Green	On	System is working.
		Off	System is off.
		Blinking	Device Error.
PoE1~8	Green	On	Powered Device Connected.
		Off	Powered Device Disconnected.
UPLINK	Green	On	1000Mbps UPLINK LINK UP.
		Off	1000Mbps UPLINK LINK DOWN.
		Blinking	1000Mbps Data Transmitting.
	Yellow	On	100/10Mbps UPLINK LINK UP.
		Off	100/10Mbps UPLINK LINK DOWN.
		Blinking	100/10Mbps Data Transmitting.
LINE 1~8	Green	On	100Mbps LINE LINK UP.
		Off	LINE LINK DOWN.
		Blinking	100Mbps Data Transmitting.
	Yellow	On	10Mbps LINE LINK UP.
		Off	LINE LINK DOWN.
		Blinking	10Mbps Data Transmitting.

#### LINE Port Pin Assignment

8-pin RJ45



The LINE interfaces of the 708EP-AC are standard 8-pin RJ45 connectors. The following tables display the pinouts.

MDI Port Pinouts		MDI-X Port Pinouts	
Pin	Description	Pin	Description
1	TX+	1	RX+
2	TX-	2	RX-
3	RX+	3	TX+
4	Not used	4	Not used
5	Not used	5	Not used
6	RX-	6	TX-
7	Not used	7	Not used
8	Not used	8	Not used

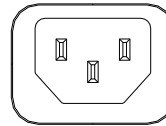
The PoE pinouts of the LINE interfaces are as below when 8 wires are connected.

PoE Pinouts			
Pin	Description	Pin	Description
1	V+	5	V+
2	V+	6	V-
3	V-	7	V-
4	V+	8	V-

The PoE pinouts of the LINE interfaces are as below when 4 wires are connected.

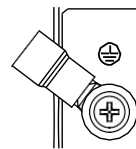
PoE Pinouts			
Pin	Description	Pin	Description
1	V+	5	Not used
2	V+	6	V-
3	V-	7	Not used
4	Not used	8	Not used

#### Connecting Power



Use the included power cord to connect the power socket on the front panel to a power outlet.

#### Ground Connection



To prevent the effects of noise from electromagnetic interference (EMI), run the ground connection from the ground screw to the grounding surface before connecting the devices.

#### Reset Button

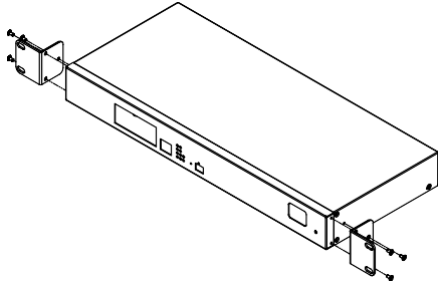
Reset button allows you to reboot the unit or restore to factory default setting.

Function	Operation
Reboot	Press the button for 1 second
Restore to factory default setting	Press the button for more than 5 seconds

## Rack Mounting

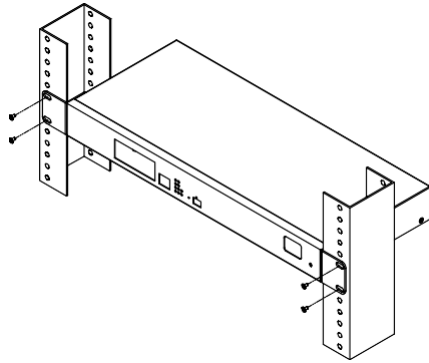
**STEP 1:** Align two brackets with the holes on the sides of the Switch and fasten the mounting kits by using screws.

**NOTE:** The type of screw is flat head M3 x 5mm.



**STEP 2:** After attaching two brackets, line up the rack-mounting positions of the holes in the brackets with the appropriate holes on the rack and then fasten the Switch on the rack by using screws.

**NOTE:** The rack-mounting screws are not included in the package.



### NOTE

– Please scan below QR Code to download online resources. Download Link: <https://www.proscend.com/en/product/708EP-AC.html>



708EP-AC

## Setup

### (1) Access the Web Configurator via UPLINK port or LINE ports.

STEP 1: Enter the default IP address **192.168.1.1** as URL in your web browser.

STEP 2: Please enter the default username **root** and the default password **2wsx#EDC**.

STEP 3: Click Login button.

### (2) Change the default password.

Go to **User** setting and reset your new password and then click **Apply** button.

**NOTE:** The default password should be changed after configuration. Please avoid using easy to guess passwords (e.g., root, 1234...).

### ⚠ ATTENTION: Safety Warning

- Disconnect all power from devices before attempting installation.
- This device is intended for installation only in restricted access locations as defined where both these conditions apply:
  - Access is through the use of a lock or tool and key, or other means of security, and is controlled by the authority responsible for the location.
  - Access can only be gained by service persons or by users who have been instructed about the reasons for the restrictions applied to the location and about any precautions that shall be taken.
- All electric installations must be carried out in accordance with local and national regulations.
- Do not work on the system, connect or disconnect cables during periods of lightning activity.
- The equipment must be connected to earth.
- Shield of RJ45 cables has to be connected to the same earth potential as the equipment.
- Please remove the ground connection lastly if you need to remove the device after installation.
- If the LINE interface is used for the connection between two buildings, all necessary protective measures must be ensured externally.
- This equipment relies on the building's installation for short-circuit (overcurrent) protection. Ensure that a fuse or circuit breaker no larger than 3.5 is used.