

701EPI/101EPI and 701CPI/101CPI Long Reach Ethernet Extenders



Introduction

The **701EPI and 101EPI Long Reach Ethernet Extenders** provide a pair of plug-n-play solution for carrying Ethernet traffic and power over Ethernet cables up to 800 meters. The **701CPI and 101CPI Ethernet-over-Coax Extenders** deliver data and power over coaxial cables up to 1000 meters.

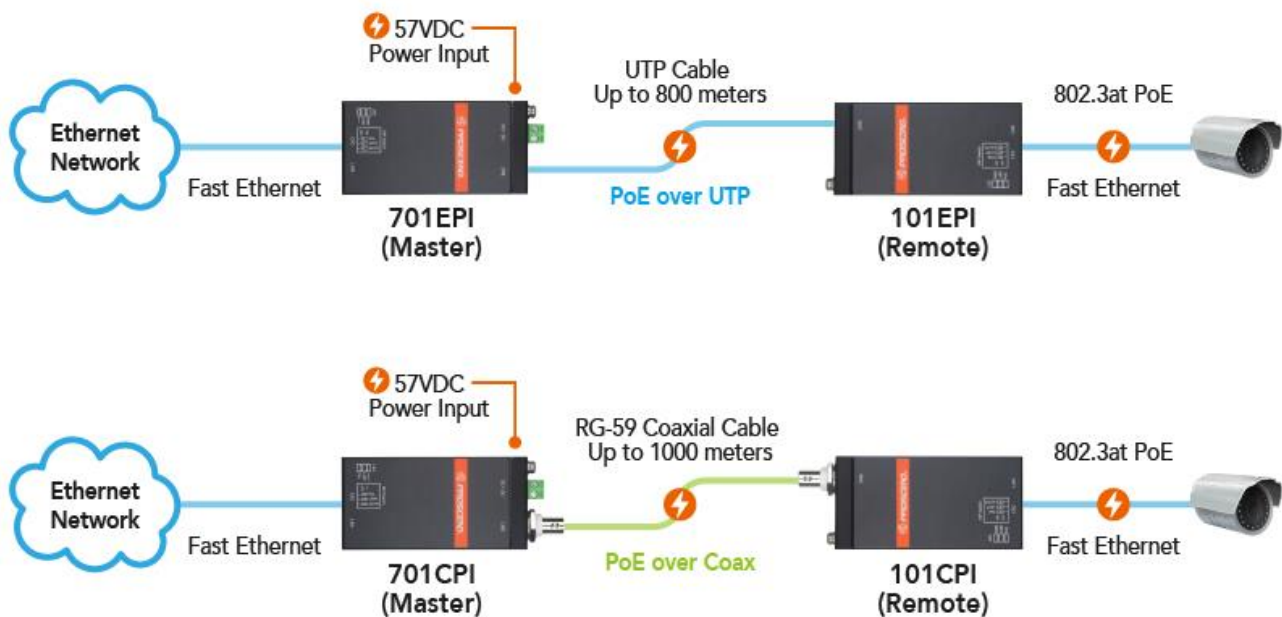
To make installation easy, the 701EPI and 701CPI are designed to locate at Ethernet network sides and connect to the companion 101EPI and 101CPI, respectively. Without the needs of redundant long-distance power cabling, the 101EPI/101CPI receive the power from the 701EPI/701CPI and offer 802.3at Power-over-Ethernet for the remote devices such as IP cameras.

With the intelligence of built-in LFPT (Link Fault Pass Through) function in each device, the network administrator is enabled to monitor the link status easily, or turn on and off an IP camera remotely from the control center for eliminating the maintenance time and costs.

Features

- Ethernet over UTP cable up to 800 meters
- Data/power over coaxial cable up to 1000 meters
- Eliminate long distance power cabling
- Industrial design for harsh environments
- 6KV surge protection
- EN50121-4 compliant for Railway trackside (701EPI, 101EPI)
- Plug-n-Play simple installation
- Remote link monitoring and power-on/off IP camera

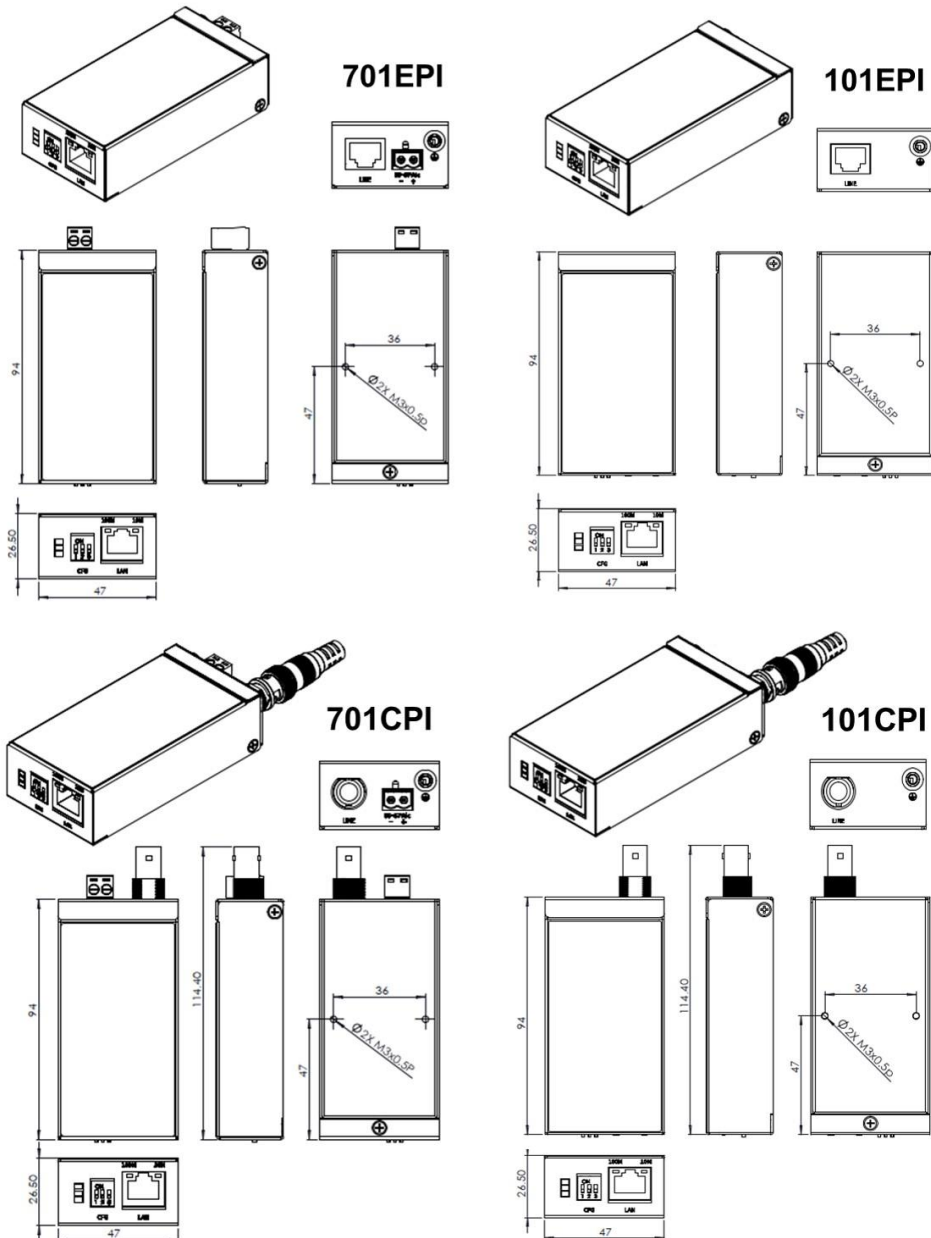
Application



Specifications

Model Name		701EPI	101EPI	701CPI	101CPI
LINE Interface	Connector	RJ45 x 1		BNC 75 ohm x 1	
	Compliance	IEEE 802.3/802.3u			
	PoE	Passive PoE PSE	Passive PoE PD	Passive PoE PSE	Passive PoE PD
LAN Interface	Connector	RJ45 x 1			
	Compliance	IEEE 802.3/802.3u	IEEE 802.3/802.3u/ 802.3at/802.3af	IEEE 802.3/802.3u	IEEE 802.3/802.3u/ 802.3at/802.3af
	PoE		PSE		PSE
Power Input		2-pin Terminal Block 55 ~ 57 VDC	Powered by LINE interface	2-pin Terminal Block 55 ~ 57 VDC	Powered by LINE interface
System Power Consumption		< 3 watt			
Physical		Dimensions (W x H x D): 47 x 26.5 x 94 mm, Metal Enclosure			
Environment		Operating Temperature: -40°C ~ 75°C Humidity: 0% ~ 95%RH (non-condensing)			
Regulatory Compliances		CE, FCC Part 15, EN62368, EN61000-4-5, EN50121-4 Compliant (701EPI, 101EPI)			
Weight		0.23 kg	0.23 kg	0.24 kg	0.24 kg

Dimensions



Data/Power Range (Power Input: 57VDC)

Coaxial Cable AWG18, 701CPI		
Distance	Link Speed	101CPI PoE output (watt)
200 meters	100Mbps	30.0
300 meters	100Mbps	30.0
400 meters	100Mbps	29.3
500 meters	100Mbps	22.9
600 meters	10Mbps	18.6
800 meters	10Mbps	13.2
1000 meters	10Mbps	9.9

Coaxial Cable AWG22, 701CPI		
Distance	Link Speed	101CPI PoE output (watt)
200 meters	100Mbps	30.0
300 meters	100Mbps	30.0
400 meters	100Mbps	22.4
500 meters	100Mbps	17.5
600 meters	10Mbps	14.3
800 meters	10Mbps	10.2
1000 meters	10Mbps	7.8

Cat 6 UTP 4 Pairs, 701EPI		
Distance	Link Speed	101EPI PoE output (watt)
200 meters	100Mbps	30.0
300 meters	100Mbps	30.0
400 meters	100Mbps	30.0
500 meters	100Mbps	28.3
600 meters	10Mbps	23.2
800 meters	10Mbps	16.9
1000 meters	N/A	N/A

Cat 6 UTP 2 Pairs, 701EPI		
Distance	Link Speed	101EPI PoE output (watt)
200 meters	100Mbps	30.0
300 meters	100Mbps	23.2
400 meters	100Mbps	16.9
500 meters	100Mbps	13.1
600 meters	10Mbps	10.6
800 meters	10Mbps	7.5
1000 meters	N/A	N/A

NOTE: The actual data speed and PoE performance can vary by the environmental conditions and the cable qualities.

Ordering Information

Model Name	Description
701EPI	Industrial Ethernet Extender over UTP - Master (2-Pair or 4-Pair)
101EPI	Industrial Ethernet Extender over UTP - Remote (2-Pair or 4-Pair)
701CPI	Industrial Ethernet Extender over Coaxial Cable - Master
101CPI	Industrial Ethernet Extender over Coaxial Cable - Remote

NOTE: Features and specifications are subject to change without prior notice.